

ZOOM



TECHNICAL DESCRIPTION

Pico Zoom Jack is a Constant Current single source LED spotlight that is machined from aerospace grade aluminium 6063-T6 and comes as standard in white, black and brushed aluminium. It has a tool-less mechanical zoom for ultimate flexibility post installation and is fully adjustable with lockable 360° pan and 180° tilt. The zoom beam in our 2.24W 180lm module has a peak intensity of 1276cd. The luminaire is compatible with our Minipoint system that enables a plug and play setup where luminaires can be swapped to suit changing lighting requirements.

MECHANICAL & ELECTRICAL

CATEGORY IP20	WATTAGE 2.24W
MATERIAL Machined AL 6063-T6	FORWARD VOLTAGE 3.2V
PAN 360°	DRIVE CURRENT 700mA
TILT 180°	SUPPLY TYPE Constant Current
LOCKABLE Pan & Tilt	DRIVER LOCATION Remote
WEIGHT 82g 0.18lb	DIMMING DALI 0-10V 1-10V

MOUNTING

MOUNTING Minipoints	CUTOUT ø18mm (0.71") minipoint
CEILING THICKNESS 30mm (1.18") max	MIN CEILING VOID N/A

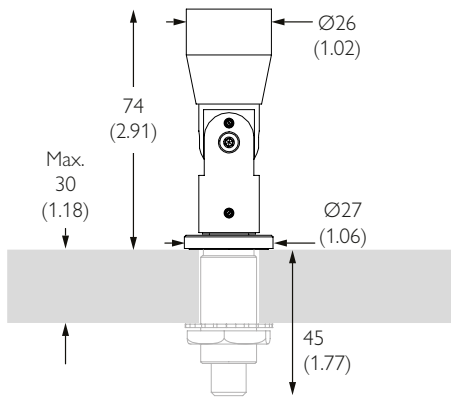
FINISHES

FINISHES Brushed Aluminium | Black RAL9005 | White RAL9010

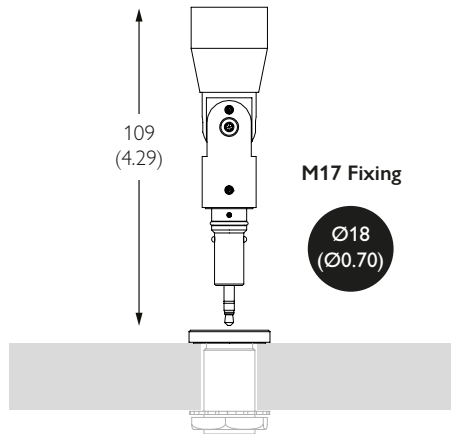
*Premium & custom finishes are built & finished to order. These are subject to an extended lead time & MOQ.

OPTICAL & STANDARDS

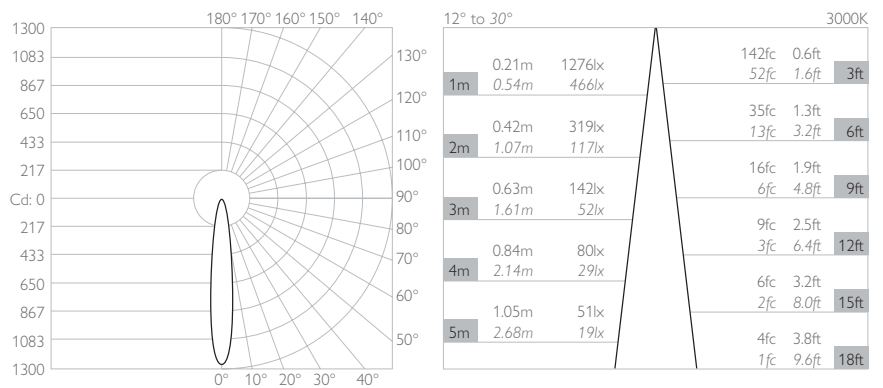
NOMINAL LUMENS 180lm	BEAM ANGLE 12°
DELIVERED LUMENS 160lm	CRI 95 TYP
COLOUR TEMPERATURE 2700K 3000K	TM-30 RF: 93 RG: 99
ACCESSORY HOLDER N/A	WARRANTY 5 Years
ACCESSORIES N/A	STANDARDS



mm (inches)



Photometry shown is for 3000K module. Please enquire for other CCT photometry. L90 50,000 hours.



LUMINAIRE FINISH

	White 9010	Matt Anodised Black	Brushed Aluminium	Rubbed Bronze*	Polished Brass*	Brushed Brass*
Without Minipoint	806-WH-XX95ZO	806-EBA-XX95ZO	806-AL-XX95ZO	806-RB-XX95ZO	806-PB-XX95ZO	806-SB-XX95ZO
With Minipoint	M-A-806-WH-XX95ZO	M-A-806-EBA-XX95ZO	M-A-806-AL-XX95ZO	M-A-806-RB-XX95ZO	M-A-806-PB-XX95ZO	M-A-806-SB-XX95ZO

*All premium & custom finishes are built & finished to order. These are subject to an extended lead time & MOQ

For 3000K Substitute XX with 30

For 2700K Substitute XX with 27